

TOTO®

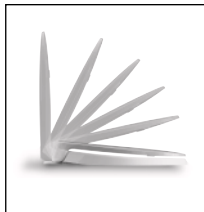
CST416M Aquia® II Dual Flush Toilet, 1.6 GPF / 0.9 GPF



CST416M - Aquia® II Toilet
SS204 - SoftClose® Oval Seat



Dual-Max Technology:
Optional 1.6 Gpf / 6 Lpf
or 0.9 Gpf / 3.4 Lpf



Choose a SoftClose®
toilet seat, or
upgrade to a Washlet®.



- Elongated skirted design, two piece toilet
- Dual-Max Flushing System
- Push button style flush option
- Excellent rim wash
- Large, 2-1/8" fully glazed trapway

Decorative, high profile two piece toilet. Dual Flush (1.6 Gpf / 6 Lpf & 0.9 Gpf / 3.4 Lpf) performance option to allow appropriate water usage.

Tank cover, fittings, chrome plated push button, less seat.

■ CST416M

Elongated toilet bowl & tank, 12" rough-in, less seat. Regular height.

□ CT416

Aquia II Elongated bowl only, 12" rough-in.

□ ST416M

Aquia II tank and cover only. Complete with tank trim and coupling components.

□ SS204

SoftClose® Seat: Seat and lid gently close with a touch of a hand. Elongated, closed front seat with lid.

□ SS114

SoftClose Seat: Seat and lid gently close with a touch of a hand. Elongated, closed front seat with lid.

□ SC134

Elongated, open front seat with lid.

□ SC534

Elongated, open front seat less lid.

Colors:

Standard #01 Cotton

Optional See price book for additional colors

Flush Button:

Standard Chrome Plated

CST416M

Aquia® II Dual Flush Toilet, 1.6 GPF / 0.9 GPF

■ PERFORMANCE

TOTO® Dual-Max® toilets received high ratings during ANSI/ASME and CSA testing. Designed to offer optional 1.6 Gpf or 0.9 Gpf to meet the demands for water savings in growing population centers.

■ SPECIFICATIONS

Water Use:	1.6 Gpf / 6.0 Lpf 0.9 Gpf / 3.4 Lpf
Flush System:	Gravity Feed (Dual-Max System)
Min. Water Pressure:	8 psi
Water Surface:	4-1/2" x 6"
Trap Diameter:	2-1/8"
Rough-in:	12" rough-in
Acoustic Reading:	65-70dB (may vary depending on room construction)
Warranty:	One Year Limited Warranty
Material:	Vitreous china
Shipping Weight:	CT416 75 lbs. ST416M 30 lbs.

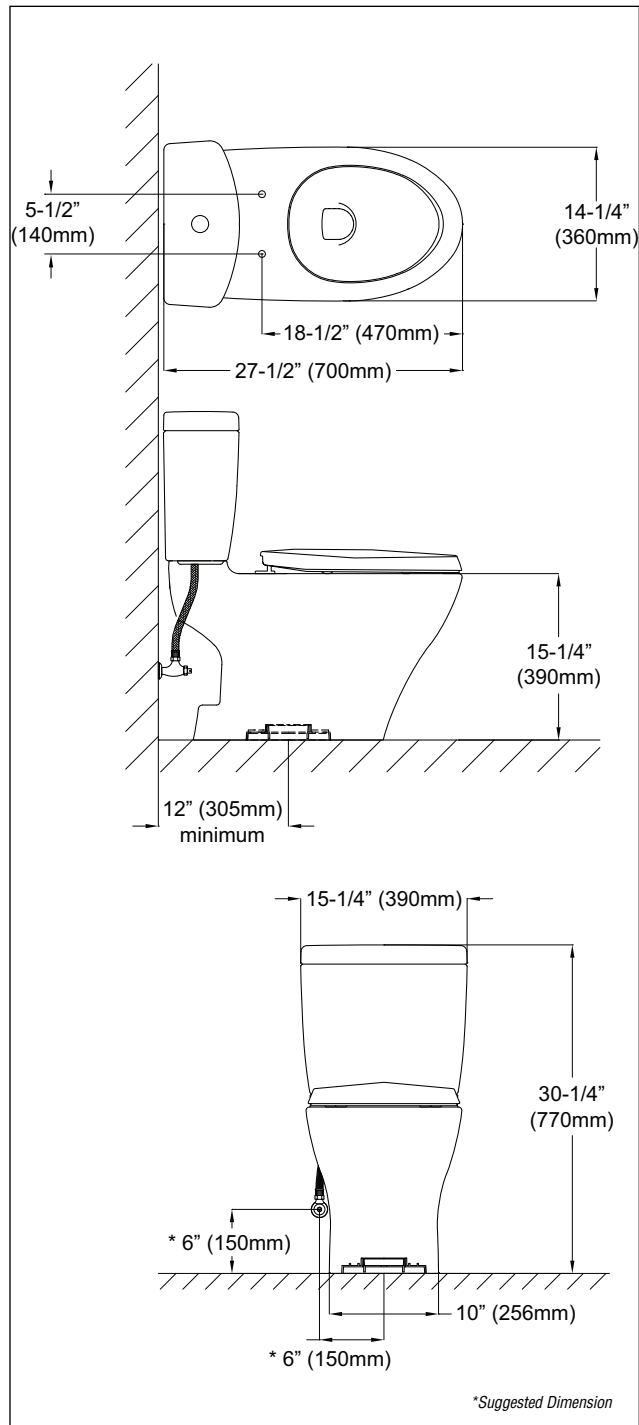
Shipping Dimensions:	CT416 27-3/4"L x 15-1/2"W1 x 10-1/2"W2 x 18"H ST416M 16"L x 7-1/2"W x 18-1/2"H
----------------------	--

Fixture dimensions and hydraulic performance meet or exceed ANSI/ASME standard A112.19.2M, A112.19.14 and CAN/CSA B 45 requirements.

Listing and approval: IAPMO/c-UPC, and other jurisdictions.

Meets and exceeds ASME A112.19.2 standards for drain-line carry distance with a 2% grade and 4" I.D. pipe. WaterSense compliant.

These dimensions and specifications are subject to change without notice.



CST416M - Aquia II® Toilet

TOTO®

TOTO U.S.A., INC. • 1155 Southern Road, Morrow, GA 30260
Tel. (888) 295-8134 • Fax. (770) 282-8701 • www.totousa.com
Printed in U.S.A. © TOTO® LTD. 12/07 #A10440

Printed on recycled paper 

REV 05/08