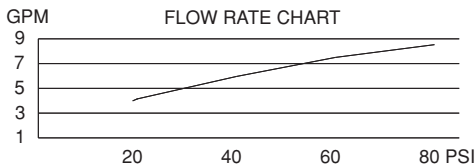


### SINGLE HANDLE PRESSURE BALANCE TUB & SHOWER FAUCET

#### Description

- Single handle with self-cleaning two-function showerhead
- 1/2" slip spout fits 1/2" copper or 1/2" IPS stub-out
- Diverter on spout
- Back to back installation capabilities

#### Flow & Valving



#### Standards

- ASME A112.18.1
- CSA B125
- ASSE 1016
- Listed IAPMO/UPC
- Energy policy act of 1992
- ADA Accessibility Guidelines for Buildings and Facilities - 4.27.4 Controls and Mechanisms

#### Warranty

Danze products are covered by a manufacturer's limited "lifetime" warranty for manufacturing defects.



D510055 (shown)  
SHERIDAN™

**With Diverter & Stops:**  
D510055 (Tub/Shower)

**With Stops:**  
D500555 (Shower only)

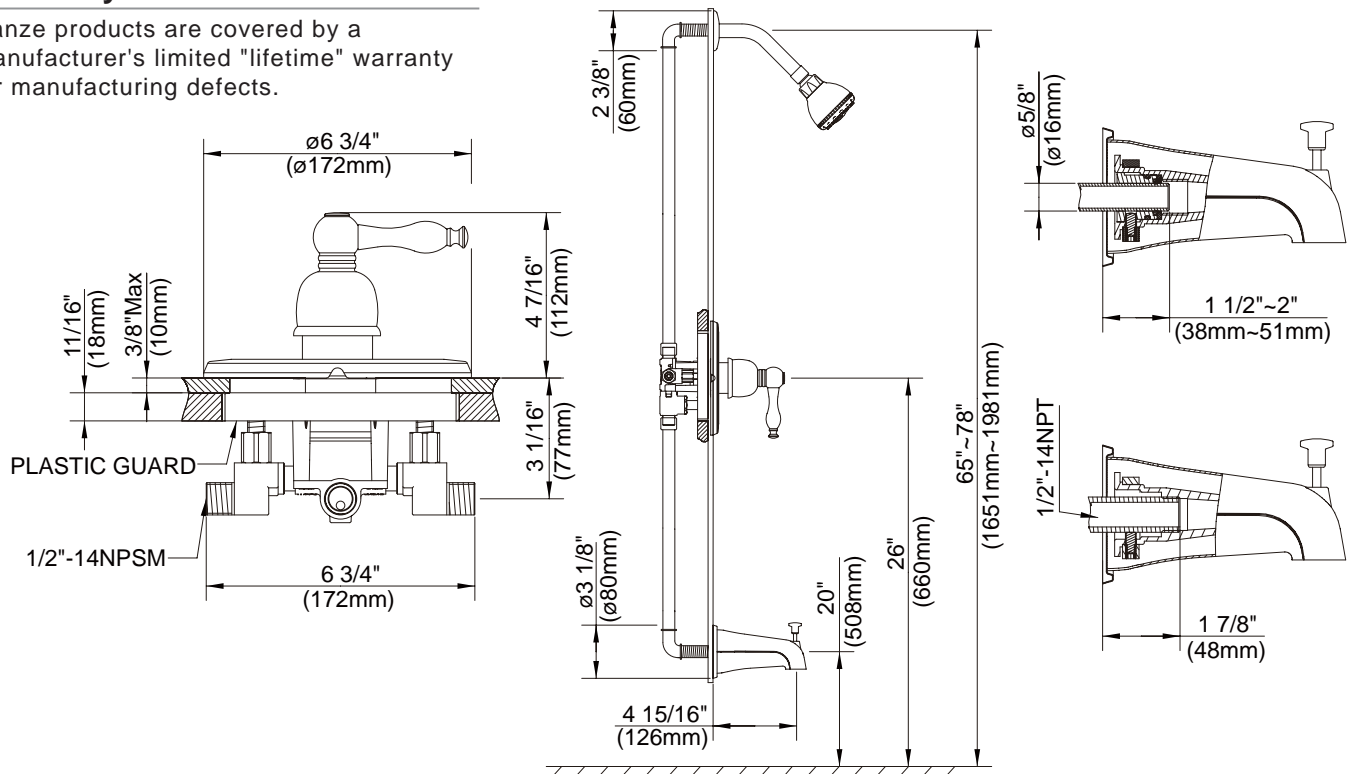
#### Available Colors & Finish

- Chrome
- Brushed Nickel (BN)
- Chrome w/Polished Brass Accents (CPBV)
- Polished Brass (PBV)
- Oil Rub Bronze (RB)
- Satin Nickel w/Polished Brass Accents (SNPV)

**Trim Kits:** (for use w/pressure balance valves)  
D510155T (Tub/Shower trim)  
D510555T (Shower only trim)  
D500655T (Tub trim w/valve escutcheon)  
D510455T (Valve only escutcheon trim w/o diverter)

#### Special Packaging

- This product also available with valve packaged separate from trim.
- Use with single handle pressure balance valves:  
D112000BT (w/stops)  
D115000BT (w/o stops)
- Valves are combination 1/2" copper sweat, 1/2" NPT threaded connectors for all ports.

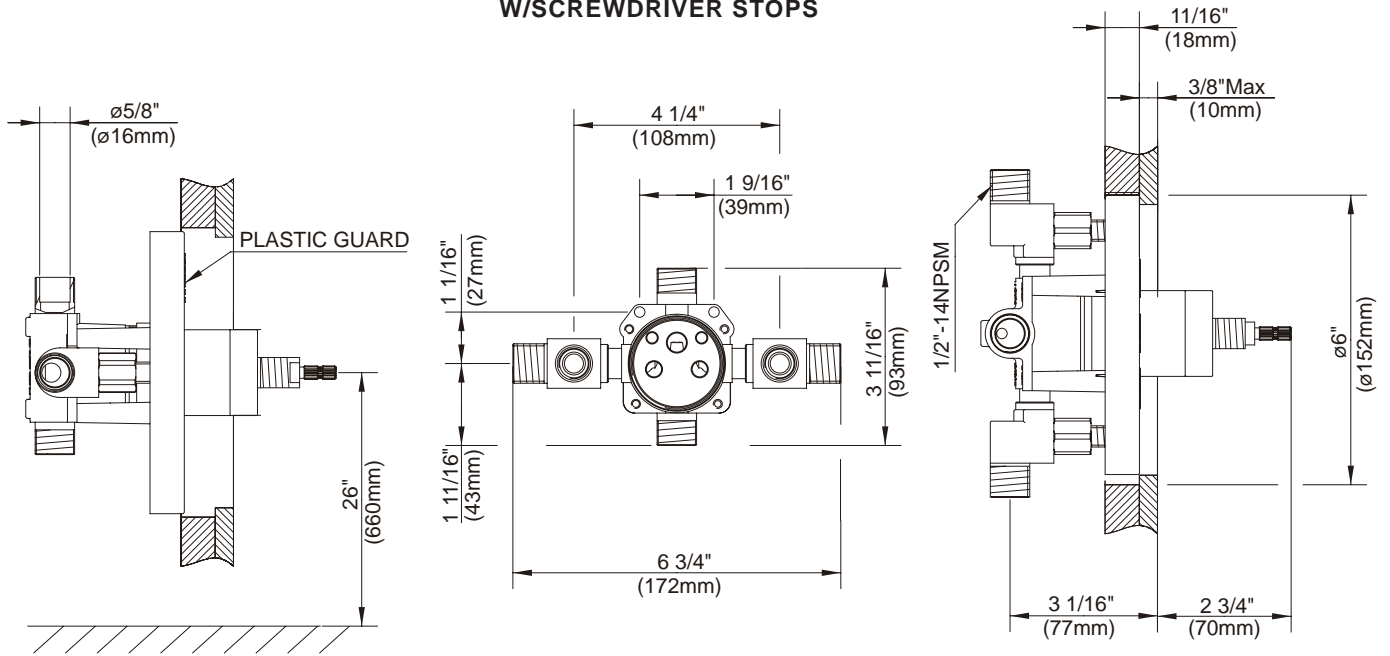


Specific Features: \_\_\_\_\_ Submitted Model No.: \_\_\_\_\_

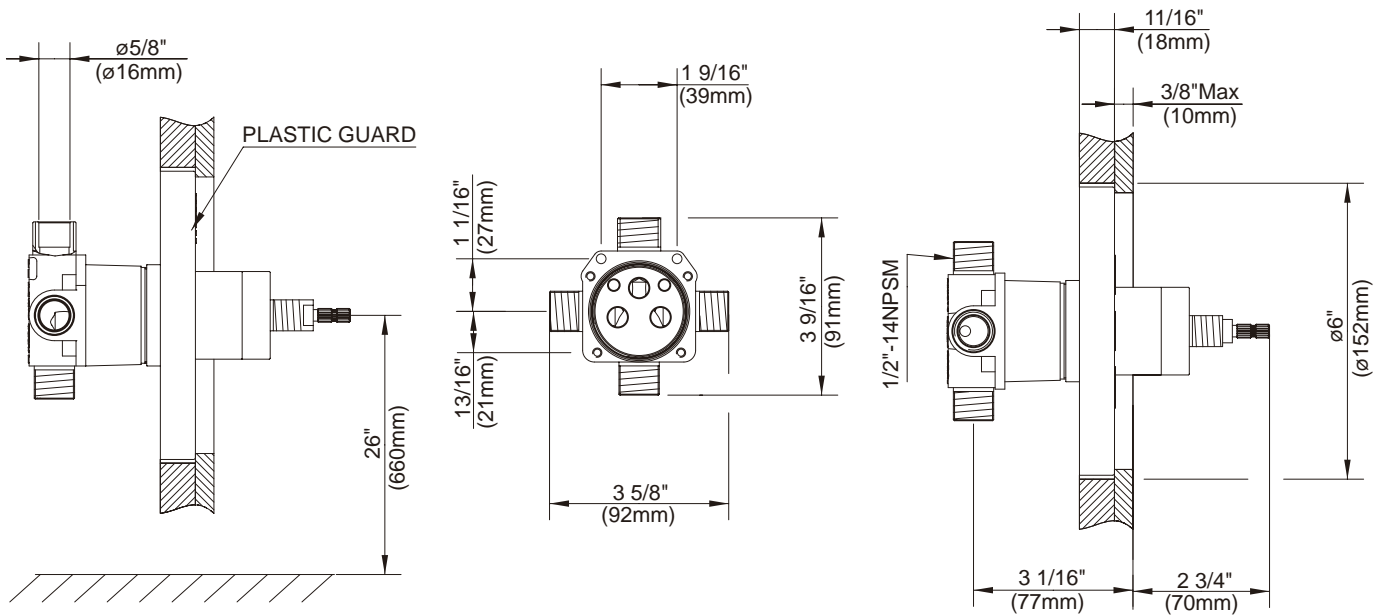
### SINGLE HANDLE PRESSURE BALANCE TUB & SHOWER VALVES

Critical Dimensions : Rough-in valve D112000BT (w/stops) & D115000BT (w/o stops)

#### W/SCREWDRIVER STOPS



#### W/DIVERTER & STOPS



Specific Features: \_\_\_\_\_ Submitted Model No.: \_\_\_\_\_

SD510055/04-07.02